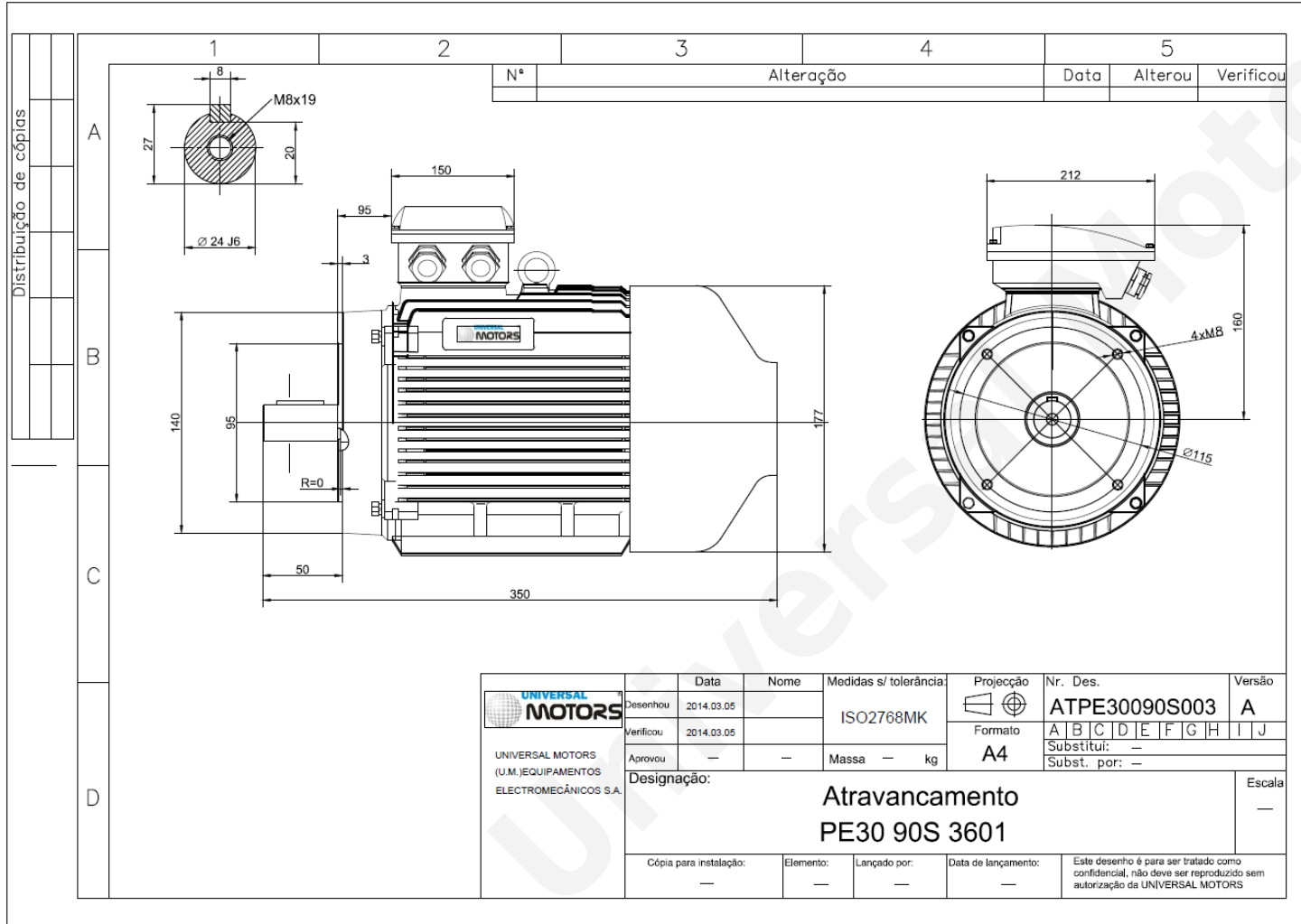




# TECHNICAL DATA

Three Phase Electric Motors - Cast Iron Frame  
 PE30 90 S 6 IE3  
 0.75 kW / 1 Cv  
 955 RPM



Motor type: **PE30 90 S 6 IE3**  
 Output: **0.75 kW / 1 Cv**  
 Speed (min<sup>-1</sup>): **955 RPM**  
 Frequency: **50 Hz**  
 Voltage: **400 V**  
 Current: **1.93 A**  
 Power factor (Cos Ø): **0.71**  
 Poles: **6**  
 Insulation class: **F**  
 Temperature rise Class: **B**  
 Efficiency 50%: **77.9 %**  
 Efficiency 75%: **79.8 %**  
 Efficiency 100%: **79.4 %**  
 Torque: **7.5 N.m**  
 Tstarting/Tnominal: **2.0**  
 Istarting/Inominal: **6.0**  
 Tmaximum/Tnominal: **2.1**  
 Noise: **46 Db(A)**  
 Weight: **26 Kg**  
 Bearing DE: **6205 2Z C3**  
 Bearing NDE: **6205 2Z C3**

Regime - S1

Altitude - 1000m

Environment Temperature - 40°C

## CONTACTS:

UNIVERSAL MOTORS Tel: +351 252 299 080  
 Rua de São Brás,745 Fax: +351 252 299 089  
 4480-782 VILA DO CONDE Mail: [geral@universalmotors.pt](mailto:geral@universalmotors.pt)

\* References applied only in the UK